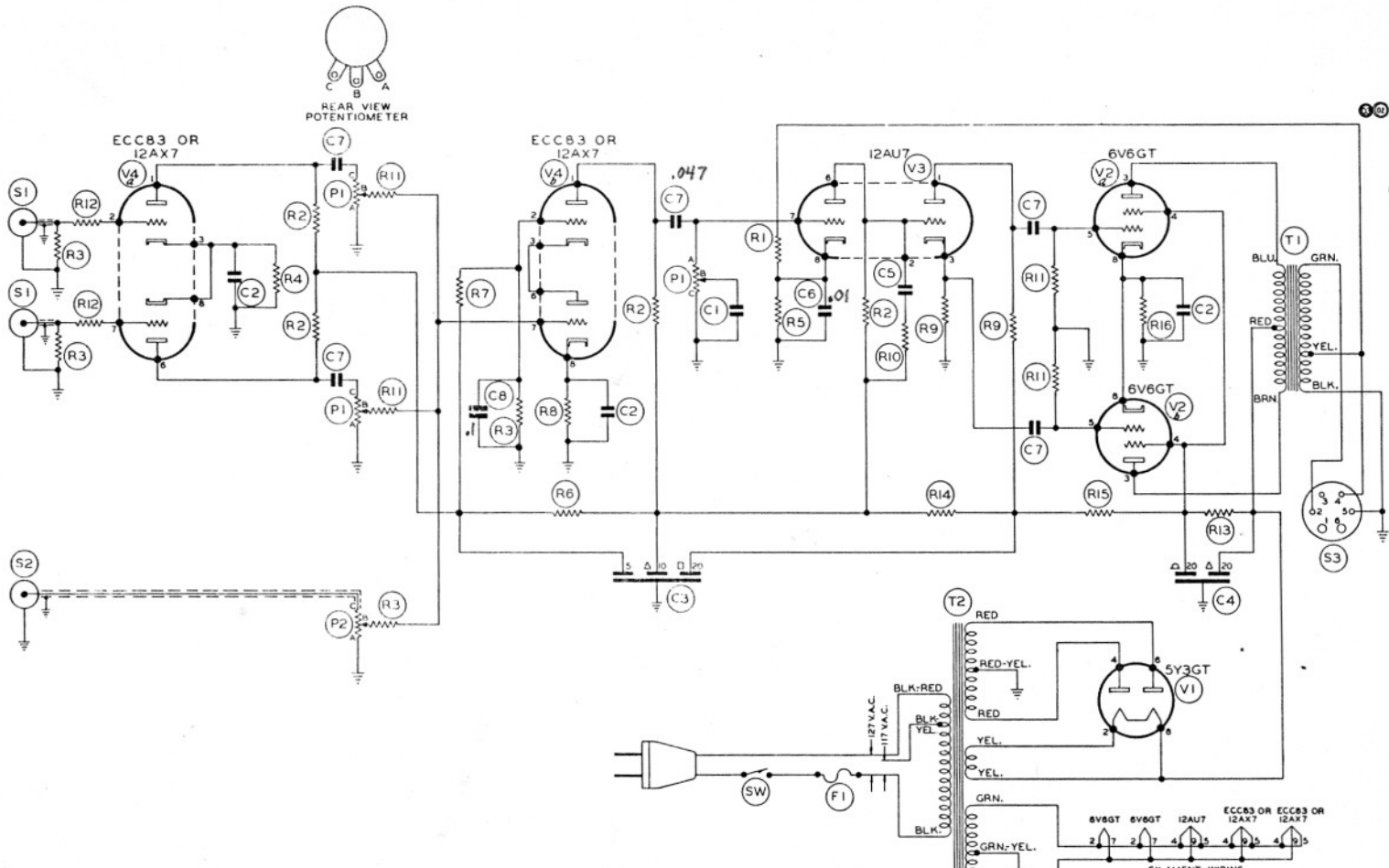


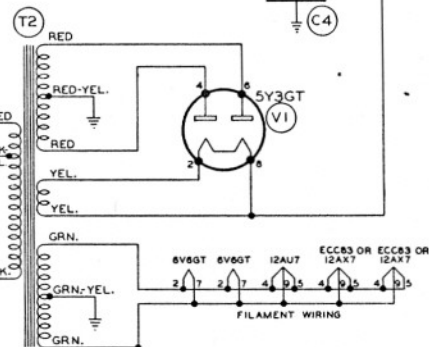
LIST OF ELECTRICAL PARTS

LEGEND	DESCRIPTION	QTY.	PART NO.
C1	CAPACITOR .0022 MFD. 500 V.	1	199-1002-222
C2	" 25 " 25 V.	3	199-2001-256
C3	" 5-10-20 " "	1	199-2904
C4	" 20-20 " 500 V.	1	199-2914
C5	" .0025 " 500 V.	1	199-3001-251
C6	" .01 " 400 V.	1	199-4025-103
C7	" .047 " 400 V.	5	199-4025-473
C8	" .10 " 400 V.	1	199-4025-104
V1	ELECTRON TUBE 5Y3GT	1	262-5Y3GT
V2	" " 6V6GT	2	262-6V6GT
V3	" " 12AU7	1	262-12AU7
V4	" " 12AX7 OR ECC83	2	262-12AX7
F1	FUSE 2 AMPERE TYPE 3AG2	1	320-835-0200
N1	LAMP PILOT MAZDA #47	1	456-1
S1	RECEPTACLE MICROPHONE	2	597-7299
S2	" AUX.	1	597-12692-01
S3	" OUTPUT	1	635-03-09651
R1	RESISTOR 6800 OHM 1/2 WATT	1	600-0080-682
R2	" 100K " " "	4	600-0080-104
R3	" 1MEG. " " "	4	600-0080-105
R4	" 1200 " " " "	1	600-0080-122
R5	" 1500 " " " "	1	600-0080-152
R6	" 15K " " " "	1	600-0080-153
R7	" 330K " " " "	1	600-0080-334
R8	" 2700 " " " "	1	600-0080-272
R9	" 33K " " " "	2	600-0080-333
R10	" 4700 " " " "	1	600-0080-472
R11	" 470K " " " "	4	600-0080-474
R12	" 68K " " " "	2	600-0080-683
R13	" 1K " 1 WATT	1	600-0116-102
R14	" 10K " " " "	1	600-0116-103
R15	" 4700 " " " "	1	600-0116-472
R16	" 200 " 5 " " "	1	600-1008-201
P1	POTENTIOMETER 500K	3	601-61
P2	" 2.5MEG.	1	601-94
SW	SWITCH - A.C.	1	680-192
T1	TRANSFORMER - OUTPUT	1	710-2054
T2	" - POWER	1	710-4097



TUBE		SOCKET PIN NUMBERS								
LEGEND	TYPE	1	2	3	4	5	6	7	8	9
V4A	ECC83 12AX7	6VDC	1.5VDC	6.3VAC	16VDC	1.5VDC	6.3VAC			
V4B	ECC83 12AX7	192VDC	52VDC	154VDC	6.3VAC	54VDC	1.5VDC	6.3VAC		
V3	12AU7	210VDC	67VDC	14VDC	6.3VAC	67VDC	2.3VDC	6.3VAC		
V2A	6V6GT	6.3VAC	310VDC	305VDC			6.3VAC	17VDC		
V2B	6V6GT	6.3VAC	310VDC	305VDC			6.3VAC	17VDC		
V1	5Y3GT	320VDC	305VAC		305VAC			320VDC		

USE A 10 MEGOHM INPUT V.T.M. FOR VOLTAGE MEASUREMENTS TO GROUND.
NOTE: ALL FILAMENT VOLTAGES MEASURED BETWEEN PINS MARKED @ AND X



ALSO USED ON THE FOLLOWING
1B385, 1C385, 1A385A, 1B385A,
1C385A.

05	ADD 'A' MOD. NOS 12-4-57	7
04	ADD ECC83 TUBE 119-36	7
03	POSTAL ADDRESS CHG.	11-4-54
02	ADD 1 CAP. 0.002-400 2-22-54	7
01	WAS 89-4015-103 1-4-54	7
00	DATE	DATE